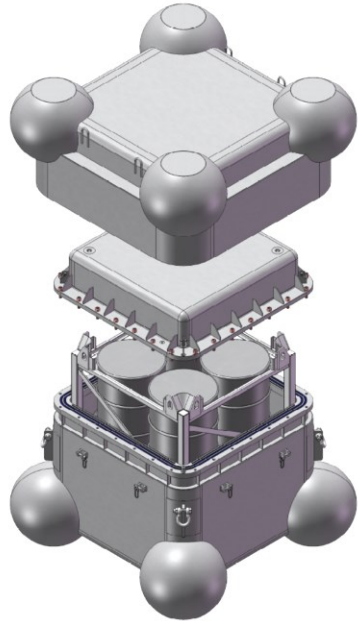


R77S Datasheet

Type Onsite Package (Type B Equivalent)

AREVA onsite certified (based on IAEA); activity greater than 100 A2

Currently in production (2011)



Application

Alpha waste drum

Designed to transport 1 to 4 alpha waste drums

Polyvalent internal basket can handle four types of drums: 118L, 120L, 440L, and 460L (30 gal and 120 gal)

State-of-the-art design provides novel weight distribution and profile allowing easy access to traditional weight and dimension restricted areas

Specifications

Materials and mechanics

Stainless steel 304L, stripped and passivated for stabilization

Overall Dimensions

Height: 1,710 mm (5.7 ft)

Width-Length: 1,880 mm (6.3 ft)

Useful Loading Dimensions

Height: 1,220 mm (4.0 ft)

Width-Length: 1,140 mm (3.8 ft)

Weight

Gross weight: 3,500 kg (7,730 lb)

Maximum load: 500 kg (1,105 lb)

Activity

Maximum activity: 50,000 A2

Maximum radiation level: 2 mSv/h (at drum contact)

Maximum fissile material: 500 g

Maximum thermal power: 23 W