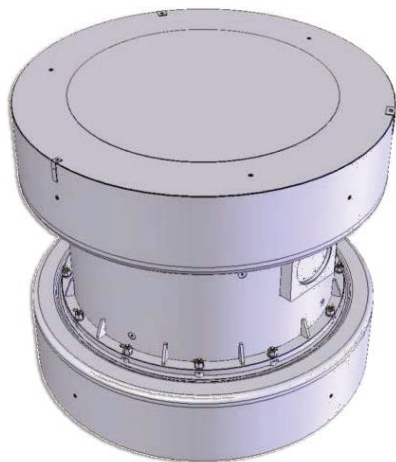


R74 Datasheet

Type B (U)

IAEA certified, UN n° 2916-radioactive wastes in Type B (U) cask;
by road-ADR, by rail-RID

2 fabricated (2010)



Application

Cemented reprocessing wastes

Designed to transport 3 drums containing cemented wastes from spent fuel reprocessing

Specifications

Materials and mechanics

Stainless steel 304L, stripped and passivated for stabilization

Certified ISO corners ready chassis for easiest transportation

Overall Dimensions

Height: 2,350 mm (7.3 ft)

Diameter: 2,710 mm (9.0 ft)

Useful Loading Dimensions

Height: 1,320 mm (4.4 ft)

Diameter: 1,780 mm (5.9 ft)

Weight

Gross weight: 24,500 kg (54,080 lb)

Maximum load: 4,200 kg (9,270 lb)

Activity

Maximum activity: 79 TBq / 320 A2

Maximum γ activity: 77 TBq

Maximum thermal power: 60 W

