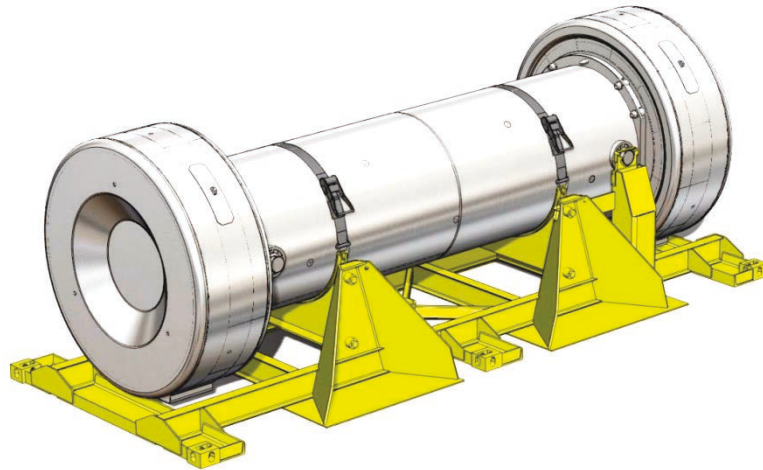


R75 Datasheet

Type B (U)

IAEA certified, UN n° 2916-radioactive wastes in Type B (U) cask; by road-ADR

Currently in production (2011—2012)



Application

Activated and contaminated PWR reactor and control rod guide tubes

Designed to transport 1 to 5 control rod guide tubes, either 900, 1300 or 1450 MWe

Internal basket adapts to all PWR types

Vertical loading/unloading, cavity full of water

Ideal when analysis or replacement of control rod guide tubes matters

Specifications

Materials and mechanics

Stainless steel 304L, stripped and passivated for stabilization

Equipped with draining, rinsing, drying system & platform for vertical use

High tech individual damping system complies with dynamic impact requirement

Dimensions	Overall	Useful Loading
Length:	5,600 mm (18.7 ft)	4,490 mm (15.0 ft)
Diameter:	2,100 mm (7.0 ft)	880 mm (2.9 ft)

Weight

Gross weight: 23,800 kg (52,450 lb)

Maximum load: 1,700 kg (3,755 lb)

Activity

Maximum activity: 10 TBq

Maximum γ activity: 10 TBq (Co⁶⁰ equivalent)

Maximum thermal power: 50 W